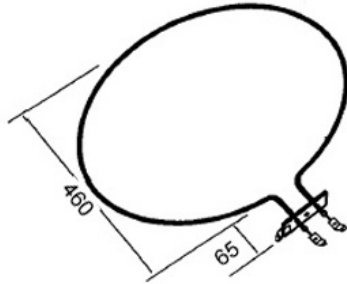


823072

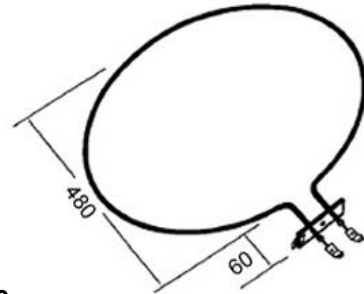
SIMPSON
2200W



0122 004 203

823074

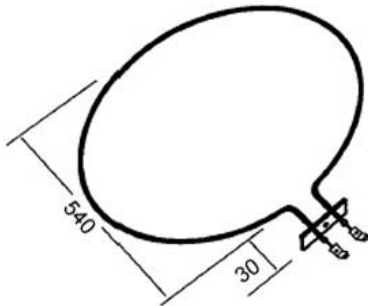
SIMPSON
2000W



0122 004 183
1688

823107

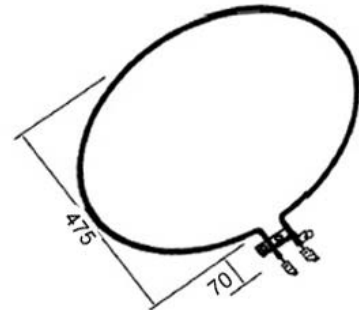
SIMPSON
2150W



0122 004 230
1821

90869

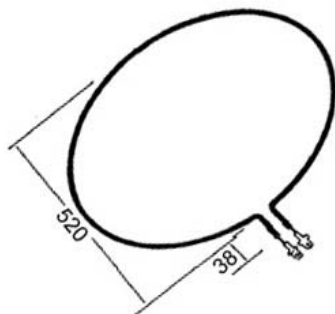
SIMPSON
2000W



0122 004 125

FN72C010

SIMPSON
1800W



0122 300 016
3646 SMD010A

QH830000

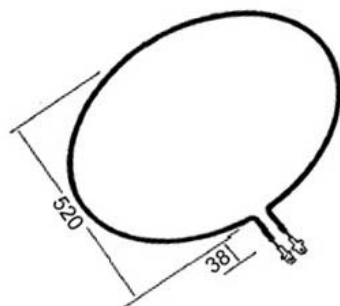
SIMPSON
2040W



0122 004 132
0122 004 133
1372

QT08Q0

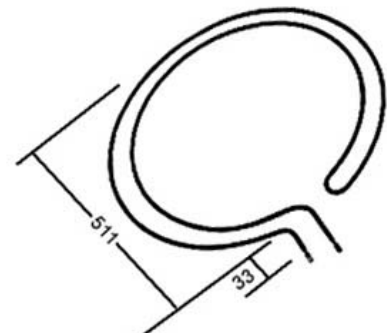
SIMPSON
2150W



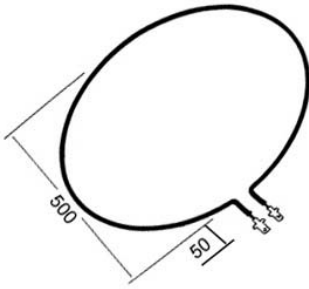
0122 300 003
2498 SMD010

122-301-001

HOOVER
1700W



0122 300 039
10312
VJ410006 (SEE NOTE)



VJ410006

Original single path element to suit HOOVER

Do NOT use single path elements in Hoover dryers

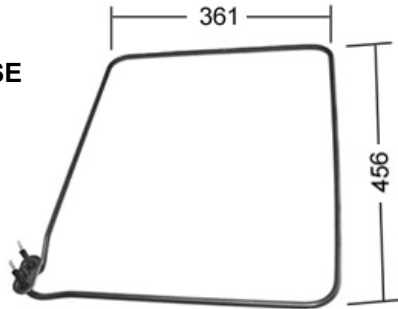
Use ONLY Part Number 122-301-001

For first element replacement, use element and carrier kit
Part Number **40600481** (including double path element)

For any subsequent element replacement, just use element
Part Number **122-301-001**

122-4-010

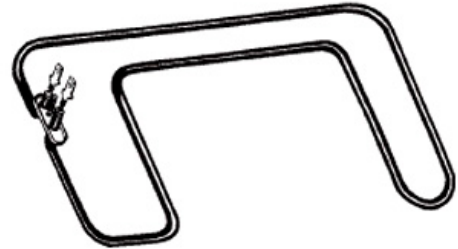
**SIMPSON
WESTINGHOUSE
DISHLEX
1860W**



0122 400 010
10313

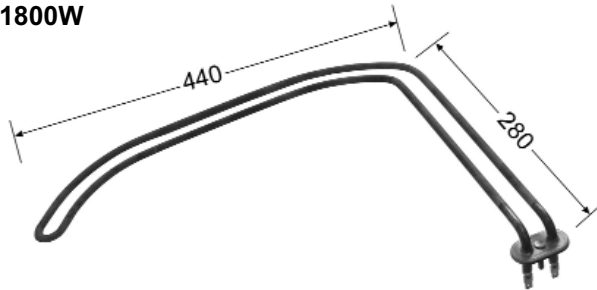
3554

**VULCAN
1800W**



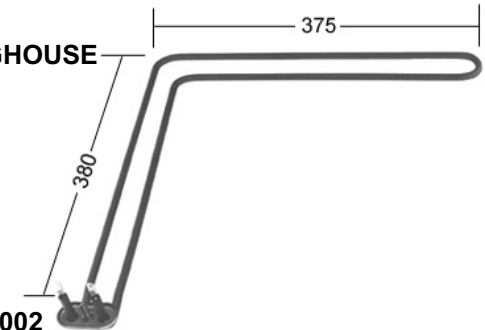
81061

**EUROPEAN BRANDS
1800W**



BX51C000

**SIMPSON
WESTINGHOUSE
1860W**



0122 400 002
10316

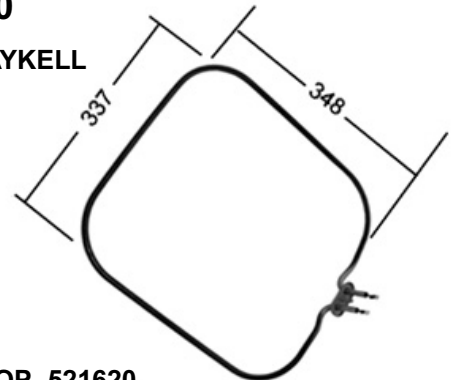
EP-217

**ESWOOD
2400W**



GC940000

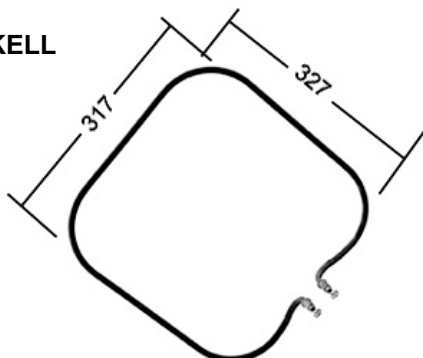
**FISHER & PAYKELL
1500W**



CLOSED LOOP 521620

GC950000

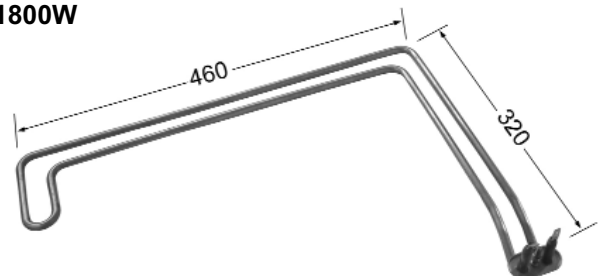
**FISHER & PAYKELL
1500W**



OPEN LOOP 521343

524007001

**OMEGA/SMEG
1800W**



This page intentionally left blank – more new products coming soon

Check out the on line catalogue at www.grimwoodheating.com.au for the latest