

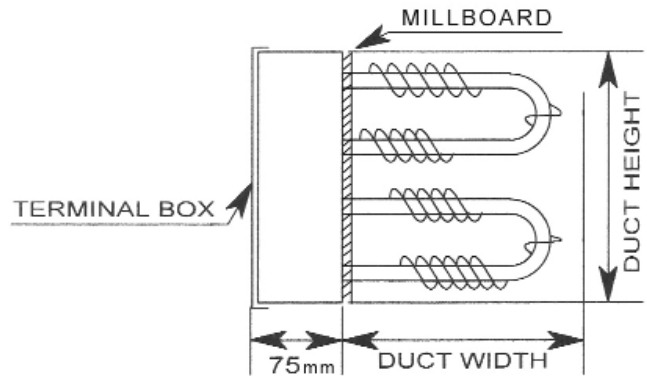
VICTORIAN DUCT HEATERS

Order Form / Request For Quote

Please fill out this form to assist us with processing your request.

Please tick appropriate box:

- Please provide a quote for the duct heaters listed below.
- This is an order for the duct heaters listed below.



Company Name: _____

Reference No (if applicable): _____

Contact Person: _____

Contact No/FaxNo/E-mail: _____

Duct ID	Qty	kW Req'd	Duct Width	Duct Height	Number of Steps	Number of Phases (1 or 3)	Internal Wiring Req'd Y / N