

ROOM THERMOSTATS

Invensys KLR-E 7000

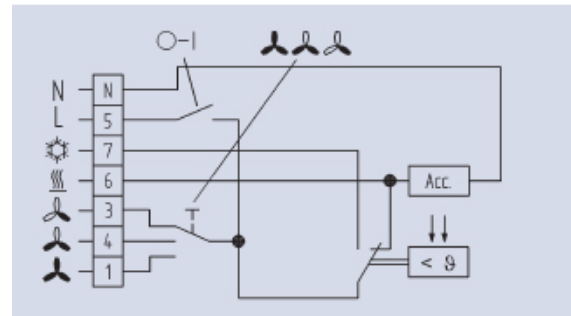
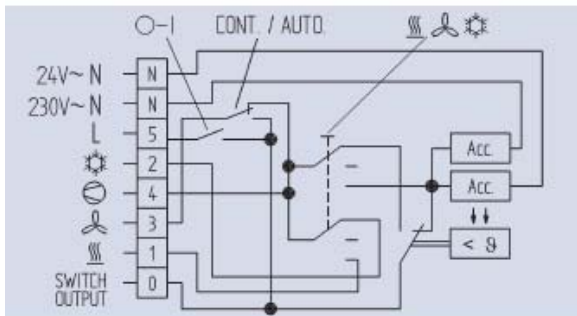


KLR-E 7007



KLR-E 7011

Wiring diagram



	KLR-E 7007	KLR-E 7011
Switches	Mains on/off	Mains on/off
Outputs	Heat Cool Fan Compressor Switch output	Heat Cool Fan speed low/med/high
Technical data		
Operating Voltage	AC 24V/AC 230V/50/60 Hz	AC 230V 50/60 Hz
Switching current	6 A $\cos \varphi = 1$ / 3A $\cos \varphi = 0,6$	6 A $\cos \varphi = 1$ / 3A $\cos \varphi = 0,6$
Contact configuration	SPDT	SPDT
Temperature range	5...30°C	5...30°C
Sensor system	Bimetal	Bimetal
Housing protection	IP 30/ isolated	IP 30/isolated
Weight	130 g	130 g
Order number	KLR-E 7007	KLR-E 7011
EDV-Nr.	111770791100K	111771151100

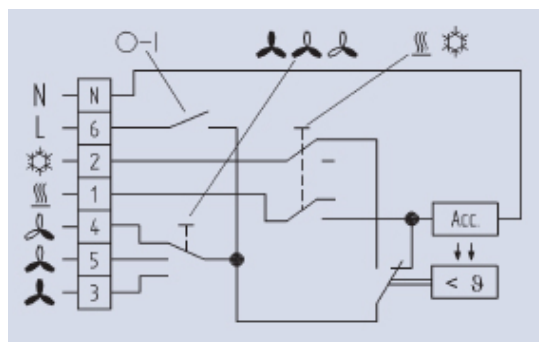
Invensys KLR-E 7000

	KLR-E 7012
Switches	Mains on/off Heat/Cool Fan speed low/med/high
Outputs	Heat Cool Fan speed low/med/high
Technical data	
Operating Voltage	AC 230V 50/60 Hz
Switching current	6 A $\cos \varphi = 1$ / 3A $\cos \varphi = 0,6$
Contact configuration	SPDT
Temperature range	5...30°C
Sensor system	Bimetal
Housing protection	IP 30/ isolated
Weight	130 g
Order number	KLR-E 7012
EDV-Nr.	111771251100K

KLR-E 7012



Wiring diagram



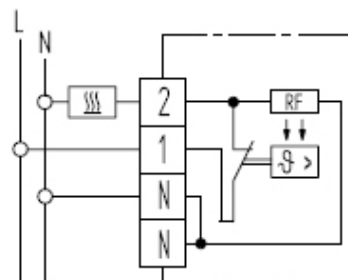
Room Temperature Controller – RTR-E 3000 series

Characteristics	
	<ul style="list-style-type: none"> • Bimetal technology with thermal feedback and high precision • Surface mounting or directly on a conduit box with vertical fixing holes or on a DIN rail with a snap-on clip • Clear terminal arrangement and ample terminal space for quick and easy installation • Housing color: pure white (similar to RAL 9010) • Mountable on adapter frame ARA 1E
Technical data	RTR-E 3521
Article No.	101 1101 51 102
Temperature range	5...30°C
Contact	1 break contact
Operating Voltage	AC 230V 50/60 Hz
Switching current	10mA...16(4)A, DC 100 W
Hysteresis	~ 0,5 K
Housing protection	IP 30/ insulated
Special features	-
Dimensions	75 x 75 x 27,5 mm

RTR-E 3521



Wiring diagram



RTR-E 3521

Room Temperature Controller – RTR-E 6000 series

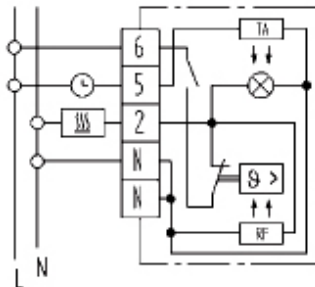
RTR-E 6202



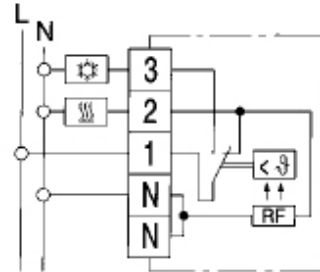
RTR-E 6705



Wiring diagram



RTR-E 6202



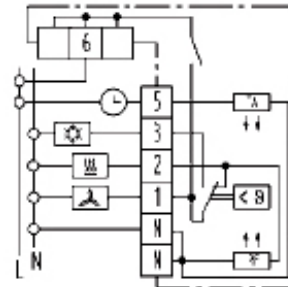
RTR-E 6705

Characteristics

- Attractive design
- Bimetal technology with thermal feedback and high precision
- Surface mounting or directly on a conduit box with vertical fixing holes or on a DIN rail with a snap-on clip
- Clear terminal arrangement and ample terminal space for quick and easy installation
- Housing color: pure white (similar to RAL 9010)
- Mountable on adapter frame ARA 1E

Technical data	RTR-E 6202	RTR-E 6705
Article No.	111 1104 51 100	111 1709 51 100
Temperature range	5...30°C	5...60°C
Contact	1 break contact	1 change-over
Operating Voltage	AC 230V 50/60 Hz	AC 230V 50/60 Hz
Switching current	10mA...10(4)A, DC 100 W	10 mA ...16(4), DC 100 W
Temperature set-back	~ 5 K ⓘ	-
Hysteresis	~ 0,5 K	~ 0,5 K
Indicator lamp	Calling for heat	-
Housing protection	IP 30/ insulated	IP 30/ insulated
Special features	with 1.8 m cable and plug	-
Dimensions	75 x 75 x 27,5 mm	75 x 75 x 27,5 mm

ⓘ Operated via external timer

Room Temperature Controller – RTR-E 6000 series**RTR-E 6763****Wiring diagram****RTR-E 6763****Characteristics**

- Attractive design
- Bimetal technology with thermal feedback and high precision
- Surface mounting or directly on a conduit box with vertical fixing holes or on a DIN rail with a snap-on clip
- Clear terminal arrangement and ample terminal space for quick and easy installation
- Housing color: pure white (similar to RAL 9010)
- Range limitation inside setting knob
- Mountable on adapter frame ARA 1E

Technical data	RTR-E 6763
Article No.	111 1703 51 100
Temperature range	5...30°C
Contact	1 change-over
Operating Voltage	AC 230V 50/60 Hz
Switching current	10mA..10(4)A heating, DC30 W 10mA...5(2)A cooling
Temperature set-back	~ 5 K ⓘ
Hysteresis	~ 0,5 K
Switch	Mains on/of
Housing protection	IP 30/ insulated
Special features	-
Dimensions	75 x 75 x 25,5 mm

ⓘ Operated via external timer

Room Temperature Controller – RTR-E 6000 series

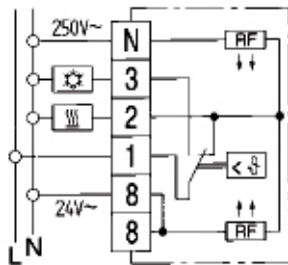
RTR-E 6747



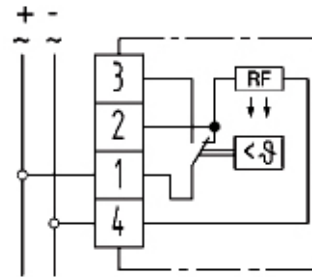
RTR-E 6749



Wiring diagram



RTR-E 6747



RTR-E 6749

Characteristics

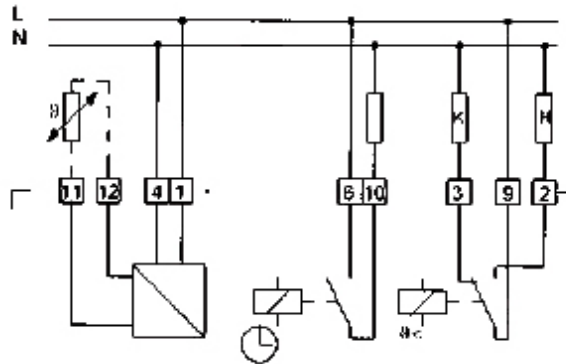
- Attractive design
- Bimetal technology with thermal feedback and high precision
- Surface mounting or directly on a conduit box with vertical fixing holes or on a DIN rail with a snap-on clip
- Clear terminal arrangement and ample terminal space for quick and easy installation
- Housing color: pure white (similar to RAL 9010)
- Range limitation inside setting knob
- Mountable on adapter frame ARA 1E

Technical data	RTR-E 6747	RTR-E 6749
Article No.	111 1702 90 100	111 1709 80 100
Temperature range	5...30°C	5...30°C
Contact	1 change-over	1 change-over
Operating Voltage	AC 230V 50/60 Hz	24V UC
Switching current	10mA..10(4)A heating, DC30 W 10mA...5(2)A cooling	UC: min >1V, > 1 mA; max 1 A
Hysteresis	~ 0,5 K	~ 0,5 K
Housing protection	IP 30/ insulated	IP 30/ insulated
Special features	tamper proof / inside scale dual voltage	tamper proof / inside scale gold contacts for low switching currents
Dimensions	75 x 75 x 25,5 mm	75 x 75 x 25,5 mm

3-Wire Clock Thermostat – digital

INSTAT 6-3ws / wds

Wiring diagram



Characteristics

- Triple-function clock thermostat: room temperature controller, floor temperature controller and ambient temperature controller with floor temperature limiter
- Separate weekly and daily programs
- 6 freely variable time periods for each day, with modular scheduling
- 3 adjustable temperatures (comfort, standard, nighttime)
- Smart heating curve (temperature is reached at the adjusted time)
- Two alternative control methods (making for compatibility with nearly all heating system types)
- Coming/going function
- Holiday function (frost protection function)
- Valve protection function
- Remote sensor operation possible
- 5 preset operating programs
- Switch ON/OFF
- Manual operation and party function
- Heating and cooling modes
- Color: pure white (similar to RAL 9010)
- Mountable on adapter frame ARA 2 S

Technical data	INSTAT 6-3 ws	INSTAT 6-3 wds (with timer)
Article No.	0525 96 146 000	0525 97 146 000
Temperature set value	5...40°C resp. 5...50°C (0.5 K resolution)	
Room temperature	0...60°C (0.1K resolution on display)	
Contact	1 change-over, voltage free	
Operating Voltage	AC 230V 50/60 Hz, with voltage free timer output for temperature set-back	
Switching current	8 (2)A (16A version on request)	
Mode of regulation	ON-OFF or Fuzzy (similar to PID) with PWM	
LCD-Display (simult.indication)	room temperature, day time, day of week, mode of operation, time and temperature zone	
Timer: min.switching cycle power reserve	10 minutes ~ 2 months	
Frost protection	5...40°C adjustable / timer: 1 ...199 day adjustable	
Operating hour counter	1 ...9999 hours	
Housing protection	IP 40/ insulated	
Temperature sensor	NTC internal (remote sensor F193 720 or F190 021 optional/ max. length 10 m)	
Dimensions	71 x 142 x 31.6 mm	

3-Wire Clock Thermostat – analog, with remote sensor

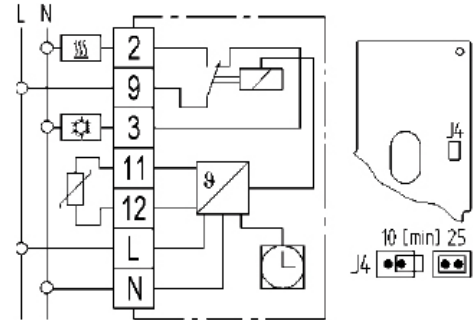


EASY 3 ft / EASY 3 fw



without cover

Wiring diagram



Characteristics

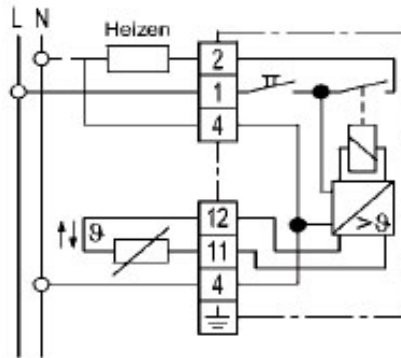
- Primary use: electric floor-heating systems
- Day and night temperatures independently definable
- 5 operational modes via setting dial for Day / Night / Automatic / Frost protection / Off
- Remote sensor operation with sensor monitor
- Housing color: pure white (similar to RAL 9010)
- Mountable on adapter frame ARA easy
- Hinged cover
- 2 sensor types available

When ordering always two positions are to be indicated, controller and sensor

Technical data	EASY 3 ft/ 5172705 daily programme
Article No.	517 2705 51 100
Temp. setting range:	
Room temperature	1 ...5 numerical scale (10...50°C)
Set-back temp.	1 ...5 numerical scale (10...50°C) (under cover)
Frost protection	10°C fixed
Contact (Relay)	1 change-over, voltage free
Operating Voltage	AC 230V 50/60 Hz
Switching current	10mA...16 A cos φ = 1 / max. 4A cos φ = 0,6 / max. 10 thermal actuators
Mode of regulation:	Proportional controller (quasi-continuous due to PWM)
Proportional band	~ 1,5 K
Cycle period	adjustable, 10 or 25 minutes
Indicator lamps	heating ON / set-back activated
Timer:	
switching time setting	every 15 min daily timer / every 1 h weekly timer
power reserve	~ 100 h
Housing protection	IP 30/ insulated
Remote sensor	F193 720 4 m length, extendable up to 50 m (alternatively: F190 021for room temperature)
Dimensions	160 x 80 x 36 mm

Floor Heating Controller – FR-E 52531

with remote sensor

**Wiring diagram****Characteristics**

- Primary application: electric floor-heating systems
- Electronic temperature controller with remote sensor
- Optional remote sensor inside a surface housing
- Surface mounting directly on a conduit box or on a DIN rail with a snap-on clip
- Range limitation inside setting knob
- Mountable on adapter frame ARA 1 E

Technical data**FR-E 52531**

Article No.	515 1105 51 100 515 1107 51 102
Temperature range	numerical scale 1 ... 6 (10 ... 60°C) 5...30°C
Contact (Relay)	1 make contact, not voltage-free
Operating Voltage	AC 230V 50 Hz
Switching current	14 (4) A (16 A version on request)
Hysteresis	~ 1 K
Switch and Indicator Lamp	mains ON/OFF and calling for heat
Housing protection	IP 30/ insulated
Remote Sensor NTC	F 193 720, included in delivery / F 190 021 optional, max. 50 m
Special features	Range limitation inside knob
Dimensions	75 x 75 x 25,5 mm

WM 901

one stage temperature controller

Description

WM 901 controllers have one point of intervention only, are for wall mounting and can be used both for heating and cooling applications. They also have a NTC thermostatic probe input and a relay output for the management of loads. The values measured by the probes are displayed with two digits and a sign.

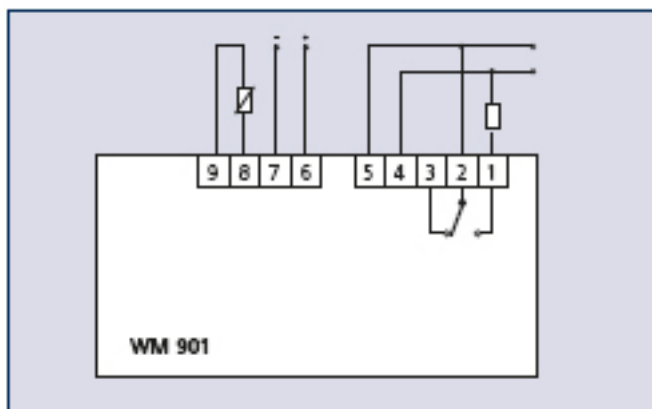


These controllers are available in 80 x 123 size for wallmounting and with 230 V AC power supply.

Technical Data

Front panel protection:	IP30.
Casing:	PC+ABS plastic, with a UL94-V0 degree of self-extinguishing
Size:	front panel 80 x 123 mm, depth 25 mm.
Mounting:	on wall.
Connections:	on screw terminals for max 2.5 mm ² conductors (one conductor only per terminal for power connections).
Operating temperature:	- 5...55 °C.
Storage temperature:	- 30...75 °C.
Display:	2 digits plus sign, 12.5 mm high.
Data storage:	on permanent memory (EEPROM).
Input:	NTC probe with reinforced insulation.
Main output:	1 output on 15A 1 hp 250 V AC SPDT relay.
Auxiliary output:	1 output on 12 V DC /20 mA max.
Measurement range:	- 50...50°C.
Resolution:	1°C.
Accuracy:	above 0.5% of bottom scale.
Power supply:	230 V AC ±10%, 50/60 Hz.

Wiring Diagram



Description of Wiring Diagram

- 1-2 Relay N.O.
- 2-3 Relay N.C.
- 4-5 Power supply
- 6-7 Output 12 V DC
- 8-9 Probe input

This page intentionally left blank – more new products coming soon

Check out the on line catalogue at www.grimwoodheating.com.au for the latest